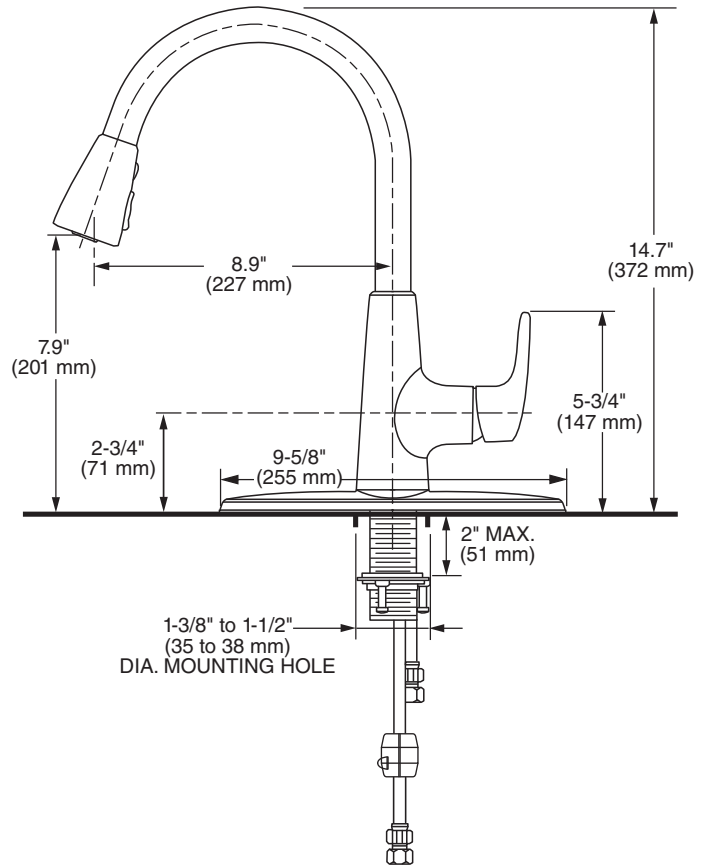


**MODEL NUMBER:**

☐ **7074.300 Pull-Down Faucet**



**GENERAL DESCRIPTION:**

Metal body and handle with brass swivel spout. Pull-down spray with adjustable spray pattern and pause feature. Nylon braided pull out hose complete with two integral check valves. Washerless 35 mm ceramic disc valve cartridge. 24" Flexible, color coded braided stainless steel supply hoses with 3/8" compression connections. Mounting shank with brass fixation ring. 1.5 gpm/5.7 L/min. maximum flow rate. Fitting can be mounted with or without metal escutcheon plate.

**PRODUCT FEATURES:**

**Ceramic Disc Valve Cartridge:** Assures a lifetime of smooth handle operation and drip-free performance.

**Metal Construction:** Quality materials for durability & long life.

**Memory Position Valving:** Allows user to turn valve on and off at preferred temperature setting without readjusting handle position each time.

**Lead Free:** Faucet contains ≤ 0.25% total lead content by weighted average.

**Pull-down Spray:** Adjustable spray pattern-stream to spray and pause feature.

**Integral Check Valves:** Prevents back flow.

**Choice of Finishes:** Choice of Polished Chrome or Stainless Steel (PVD).

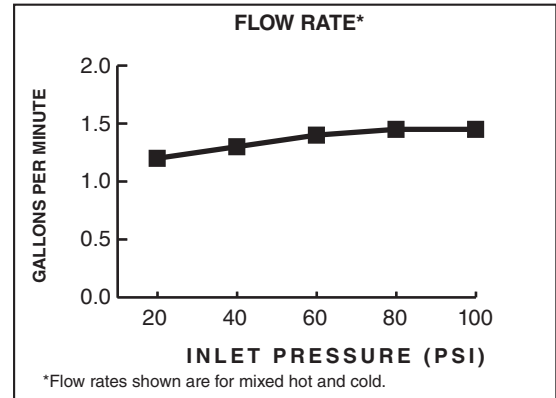
**SUGGESTED SPECIFICATION**

Single control kitchen faucet shall feature a metal body with pull-down spray. Shall also feature washerless ceramic disc valve cartridge, flexible stainless steel supply hoses and two integral check valves. Fitting shall be American Standard Model # 7074.300.\_\_\_\_.

**CODES AND STANDARDS**


These products meet or exceed the following codes and standards:

- ANSI A117.1**
- ASME A112.18.1**
- CSA B125.1**
- NSF 61/Section 9**
- NSF 372**



**1.5 gpm/5.7 L/min. FLOW RATE**

Product Number	Description	Finish Options	
		Polished Chrome	PVD Stainless Steel
7074.300	Pull-Down Kitchen Faucet	002	075

 Meets the American Disabilities Act Guidelines and **ANSI A117.1** Requirements for the physically challenged.