

HOLT COLLECTION

RECTANGULAR UNDERMOUNT SINK

14-042A-W

PRODUCT FEATURES

- Vitreous china
- Avenue White
- Front overflow hole
- Template supplied
- Faucet not included
- Mounting clips not included

DIMENSIONS

Outer:

- 19¹/₄" (W) x 13³/₄" (D) x 6⁷/₈" (H)
- 490mm (W) x 350mm (D) x 175mm (H)

Inner:

- 17³/₈" (W) x 11³/₄" (D) x 4⁷/₈" (H)
- 440mm (W) x 300mm (D) x 123mm (H)

SHIPPING

- Cube: 1.6
- GW: 25 lbs

COMPLIANCE CERTIFICATIONS

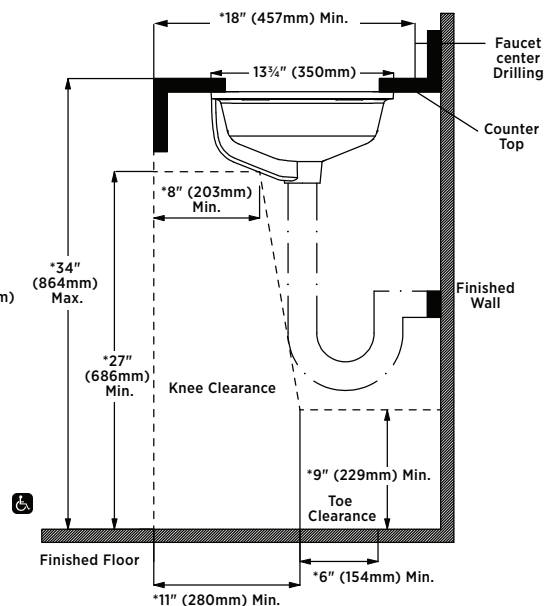
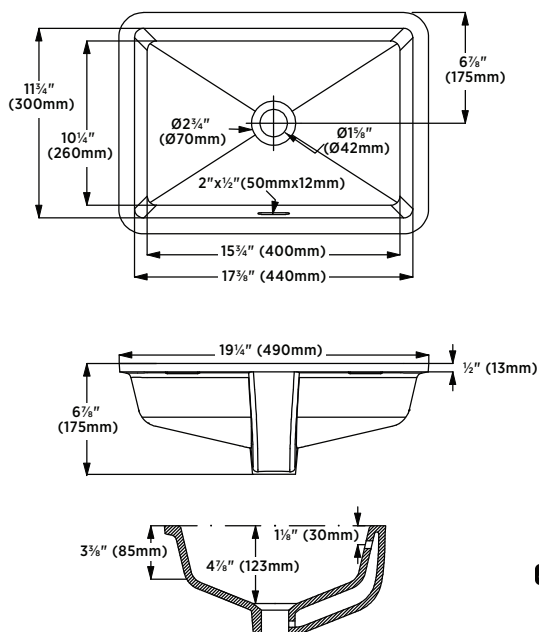
Meets or exceeds the following:

- IAPMO cUPC
- ASME A112.19.2 / CSA B45.1
- ADA Guidelines & ANSI A117.1
- OBC Section 3.8 Barrier Free design and CSA B651 Standard



Notes: Dimensions of fixtures are nominal and may vary within the range of tolerances established by ASME standard A112.19.2. These measurements are subject to change or cancellation. No responsibility is assumed for use of superseded or voided pages.

Products are designed to comply with ADA/ANSI A117.1, CSA B651 Standard and OBC barrier-free requirements. It shall be the responsibility of the installer to comply with the local disability codes and standards prior to installing the product.



Note: * Starred measurements comply with ADA and OBC barrier free accessibility requirements.