

# HOLT COLLECTION

## OVAL UNDERMOUNT SINK 14-043A-W

### PRODUCT FEATURES

Vitreous china  
Avenue White  
Front overflow hole  
Template supplied  
Faucet not included  
Mounting clips not included

### DIMENSIONS

#### Outer:

19 $\frac{1}{8}$ " (W) x 15 $\frac{1}{2}$ " (D) x 6 $\frac{7}{8}$ " (H)  
485mm (W) x 395mm (D) x 175mm (H)

#### Inner:

17 $\frac{1}{8}$ " (W) x 14" (D) x 4 $\frac{7}{8}$ " (H)  
435mm (W) x 355mm (D) x 123mm (H)

### SHIPPING

Cube: 1.71      GW: 19 lbs

### COMPLIANCE CERTIFICATIONS

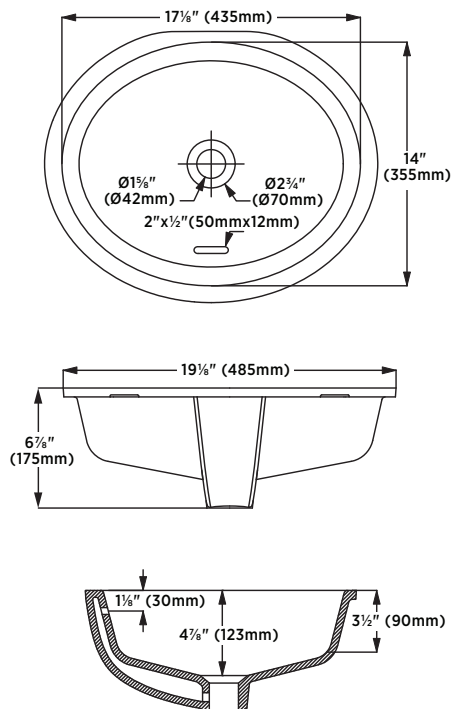
Meets or exceeds the following:

IAPMO cUPC

ASME A112.19.2 / CSA B45.1

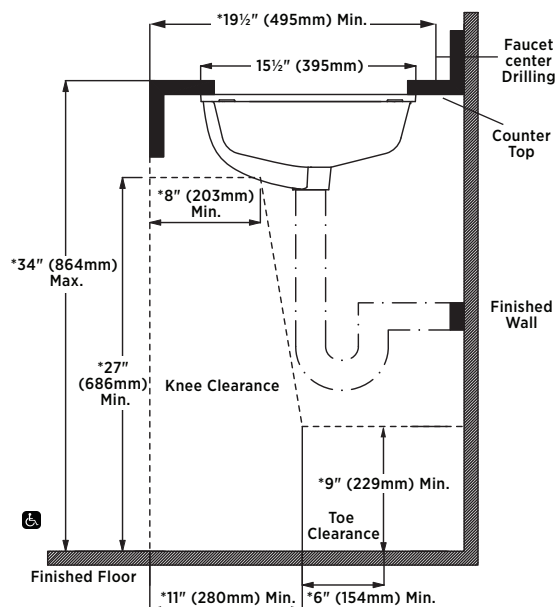
ADA Guidelines & ANSI A117.1

OBC Section 3.8 Barrier Free design and CSA B651 Standard



**Notes:** Dimensions of fixtures are nominal and may vary within the range of tolerances established by ASME standard A112.19.2. These measurements are subject to change or cancellation. No responsibility is assumed for use of superseded or voided pages.

Products are designed to comply with ADA/ANSI A117.1, CSA B651 Standard and OBC barrier-free requirements. It shall be the responsibility of the installer to comply with the local disability codes and standards prior to installing the product.



Note: \* Starred measurements comply with ADA and OBC barrier free accessibility requirements.

9570 CHEDWORTH WAY, UNIT B, MISSISSAUGA ONTARIO, CANADA L5R 4G5 [AVENUECANADA.CA](http://AVENUECANADA.CA)

REVISED 08/22  
avenue