

CURTIS

SEMI-OVAL DROP-IN

□ 4140BEW 4" Center

PRODUCT SPECS

- Vitreous china
- Front overflow hole
- 4" Faucet center
- Template supplied
- Faucet not included

DIMENSIONS

525mm W x 435mm D x 195mm H
20⁵/₈" W x 17¹/₈" D x 7⁵/₈" H

COMPLIANCE CERTIFICATIONS

- Meets or exceeds the following:
- IAPMO cUPC
 - ASME A112.19.2 / CSA B45.1
 - ADA Guidelines & ANSI A117.1
 - NBC and OBC section 3.8 barrier free design and CSA B651 standard

SHIPPING

Cube 1.73
GW 17 lbs

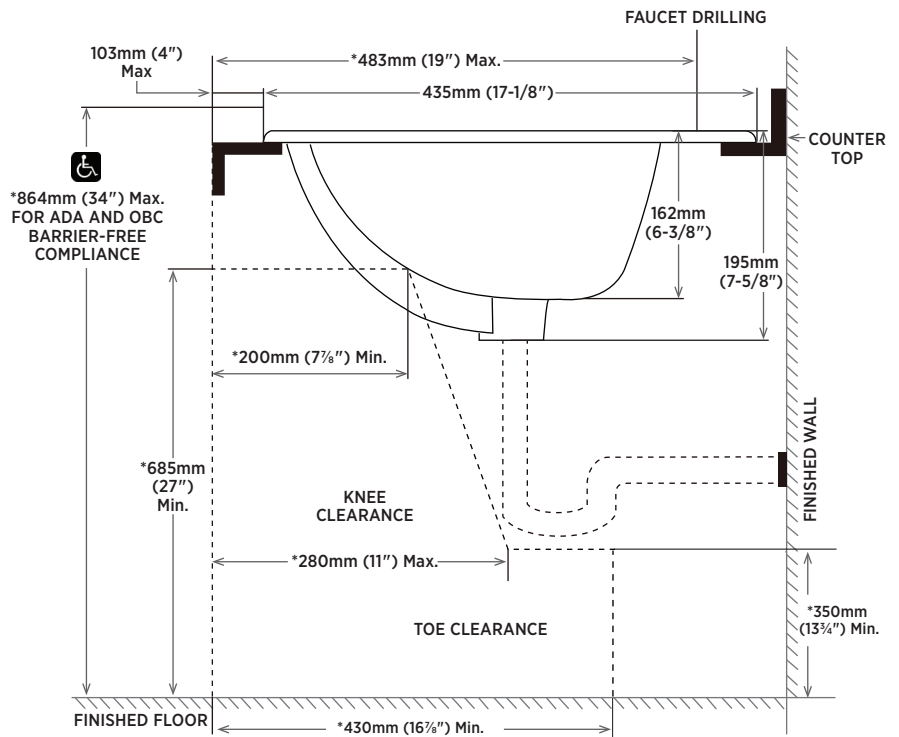
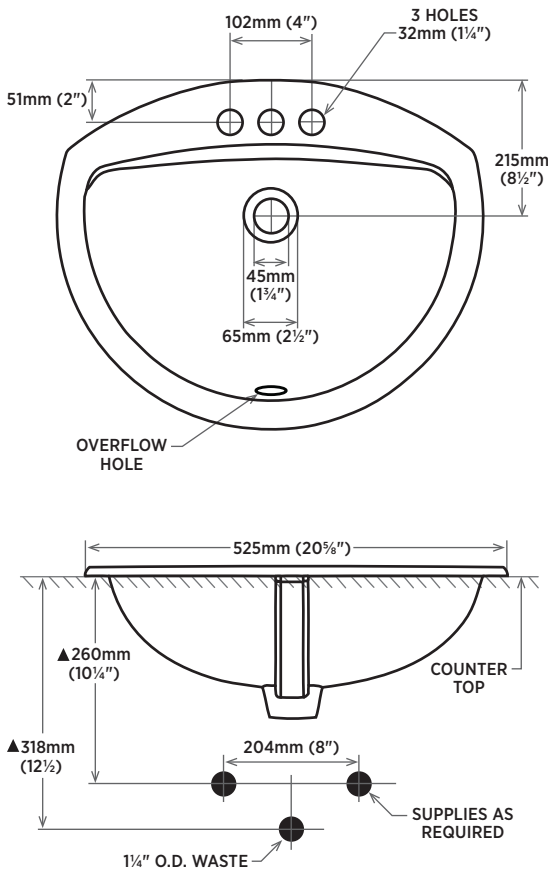


TO BE SPECIFIED

Colour:
■ Soft White

NOTES: Dimensions of fixtures are nominal and may vary within the range of tolerances established by ASME standard A112.19.2. These measurements are subject to change or cancellation. No responsibility is assumed for use of superseded or voided pages.

This product is designed to comply with ADA and OBC barrier-free requirements, if installed according to the standard. It is the responsibility of the installer to comply with this standard prior to installation.



NOTE: * Starred measurements comply with ADA and OBC barrier free accessibility requirements. ▲ Dimensions shown for location of supplied and waste are suggested.

REVISED JUNE 2020

contrac

5970 CHEDWORTH WAY, UNIT B, MISSISSAUGA, ONTARIO, CANADA L5R 4G5 | CONTRAC.CA