

EMERY

RECTANGULAR UNDERMOUNT SINK

- **4220CGY** Undermount Sink, Soft White
- **4220CGY-077** Undermount Sink, Matte Black
- **4220CGY-088** Undermount Sink, Slate Grey

PRODUCT SPECS:

- Vitreous china
- Front overflow hole
- 8¼" Bowl depth
- Template and mounting hardware supplied

DIMENSIONS:

Outer:

545mm W x 355mm D x 210mm H

21½" W x 14" D x 8¼" H

Inner:

495mm W x 305mm D x 160mm H

19½" W x 12" D x 6¼" H

COMPLIANCE CERTIFICATIONS

Meets or exceeds the following:

- IAPMO cUPC
- ASME A112.19.2 / CSA B45.1

SHIPPING

Cube 1.85

GW 20 lbs

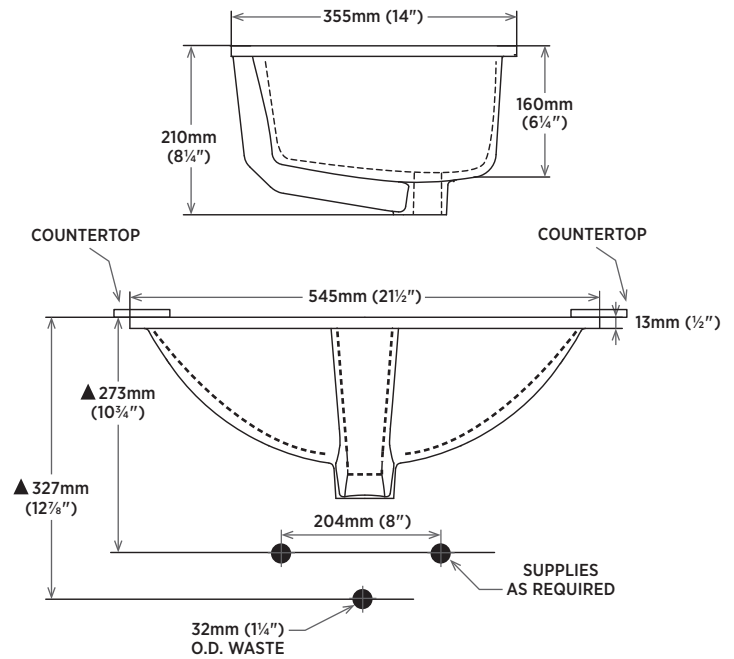
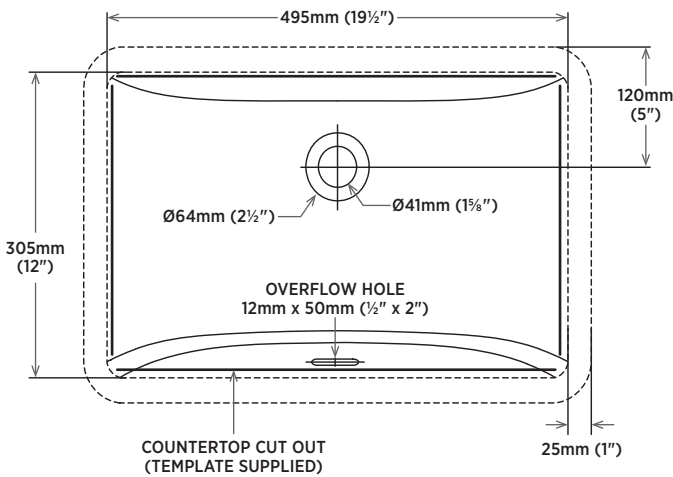


TO BE SPECIFIED

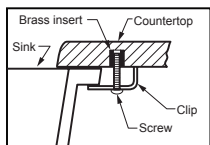
Colour:

- Soft White
- Matte Black
- Slate Grey

NOTES: Dimensions of fixtures are nominal and may vary within the range of tolerances established by ASME standard A112.19.2. These measurements are subject to change or cancellation. No responsibility is assumed for use of superseded or voided pages.



DETAIL OF MOUNTING CLIP



Note:
▲ Dimensions shown for location of supplies and "P" trap are suggested.