



# LAVATORY FAUCETS

- Kami™ Collection
- Single Handle Deck Mount
- 1 or 3 Hole Sink Applications

## STANDARD SPECIFICATIONS:

- Single Handle Lavatory Faucet.
- Ceramic cartridge with high temperature rotational limit stop.
- Models have 50/50 drain with pop-up type fitting with plated flange and stopper.
- 1 or 3 hole sink applications.
- Order 062021A optional escutcheon plate for 3-hole sink installation – Not Included.
- Models with suffix "LPU" are less pop-up.
- 4.81" (122 mm) long reach on spout.
- Maximum 2.5" (63 mm) deck thickness.
- Handle: 4.5" (114 mm) lever handle – ADA compliant-colour indexed.
- Maximum flow rate: 1.2 gpm @ 60 psi, 4.54 L/min @ 413 kPa.

## WARRANTY

- Lifetime Faucet and Finish Limited Warranty to the original consumer purchaser to be free from defects in material and workmanship.
- 5 Year Limited Warranty for usage in all industrial, commercial and business applications.

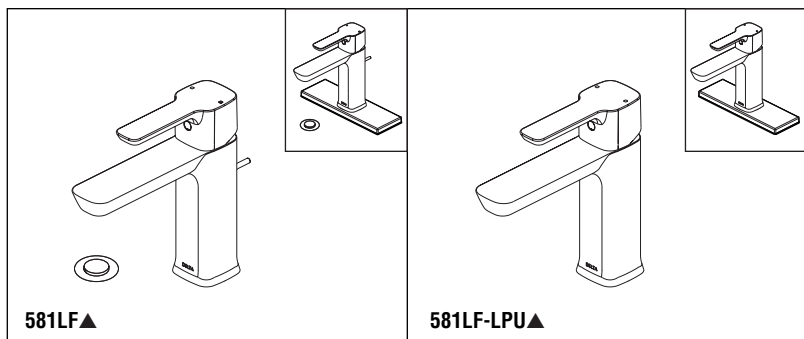


## COMPLIES WITH:

- ASME A112.18.1 / CSA B125.1
- ASME A112.18.2 / CSA B125.2
- Indicates ADA compliance to ICC/ANSI A117.1
- Verified compliant with 0.25% weighted average Pb content regulations.

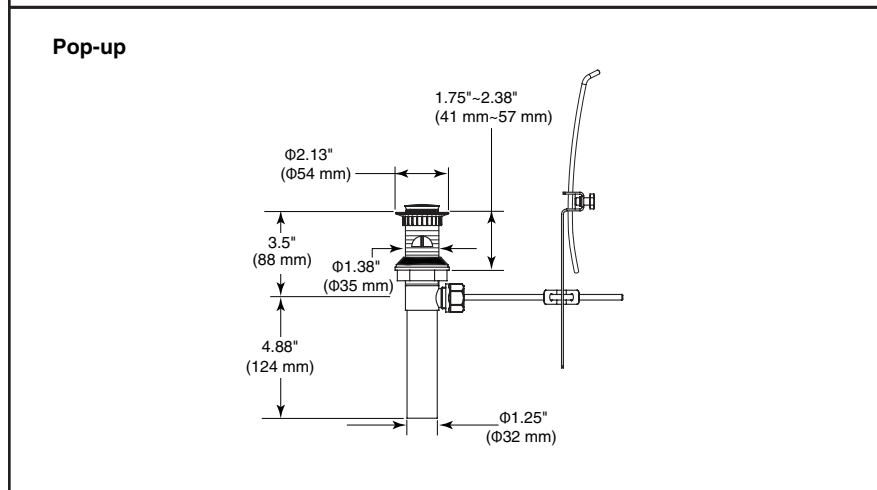
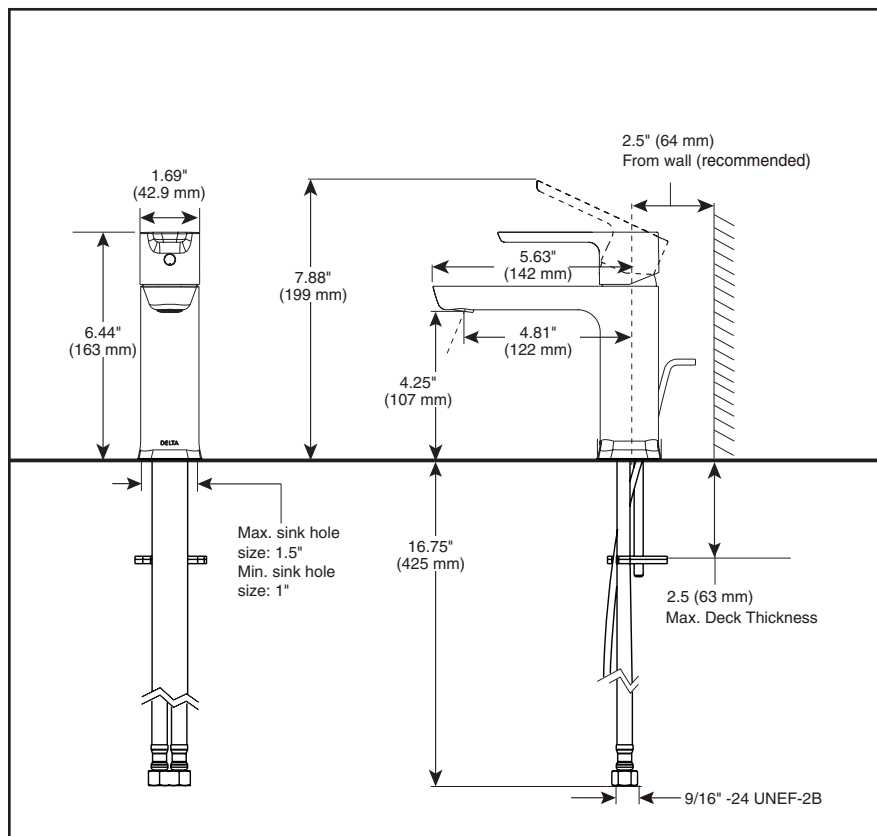


55 E. 111th Street, Indianapolis, Indiana 46280  
 350 South Edgevare Road, St. Thomas, ON N5P 4L1  
 © 2017 Masco Corporation of Indiana



Submitted Model No.: \_\_\_\_\_

Specific Features: \_\_\_\_\_



▲ Designate proper finish suffix

Delta reserves the right (1) to make changes in specifications and materials, and (2) to change or discontinue models, both without notice or obligation. Dimensions are for reference only. See current full-line price book or [www.specselect.com](http://www.specselect.com) for finish options and product availability.