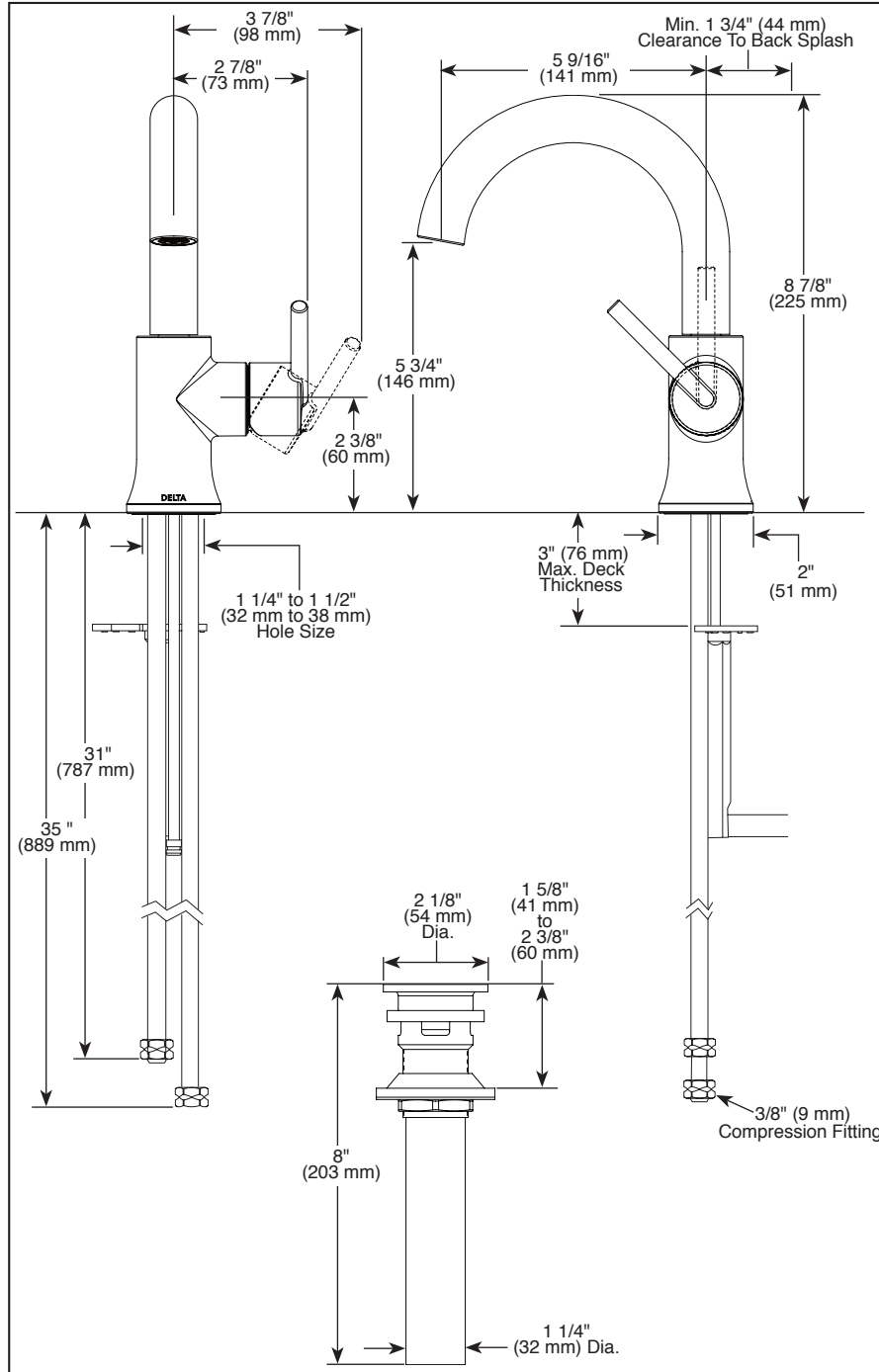


Submitted Model No.: _____

Specific Features: _____



▲ Designate Proper Finish Suffix

Delta reserves the right (1) to make changes in specifications and materials, and (2) to change or discontinue models, both without notice or obligation. Dimensions are for reference only. See current full-line price book or www.deltafaucet.com for finish options and product availability.

DSP-L-559HA-DST Rev. C



LAVATORY FAUCETS

- Trinsic® Collection
- High Arc Swivel Spout

FEATURES:

- Euro-Motion Diamond™ Valve

STANDARD SPECIFICATIONS:


- Max. 1.20 gpm @ 60 psi, 4.54 L/min @ 414 kPa (559HA-DST)
- Max. 1.00 gpm @ 60 psi, 3.80 L/min @ 414 kPa (559HA-GPM-DST)
- Single hole mount
- Spout swivels 360°
- Solid metal construction
- Diamond coated ceramic cartridge
- Red/blue indicator markings
- Models include metal push-pop drain

WARRANTY

- Lifetime limited warranty on parts (other than electronic parts and batteries) and finishes; or, for commercial users, for 5 years from date of purchase.
- 5 year limited warranty on electronic parts (other than batteries); or, for commercial users, for 1 year from the date of purchase. No warranty is provided on batteries.



COMPLIES WITH:

- ASME A112.18.1 / CSA B125.1
- ASME A112.18.2 / CSA B125.2
-  Indicates compliance to ICC/ANSI A117.1
- EPA WaterSense®
- Verified compliant with .25% weighted average Pb content regulations.



55 E. 111th Street, Indianapolis, Indiana 46280
 350 South Edgeware Road, St. Thomas, ON N5P 4L1
 © 2016 Masco Corporation of Indiana