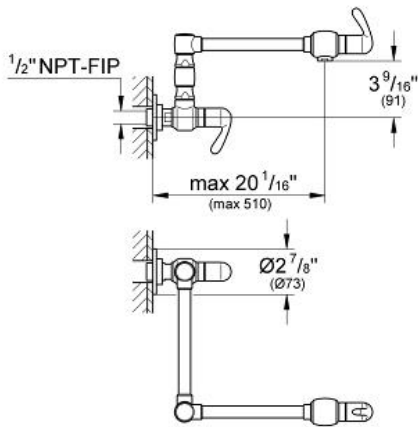
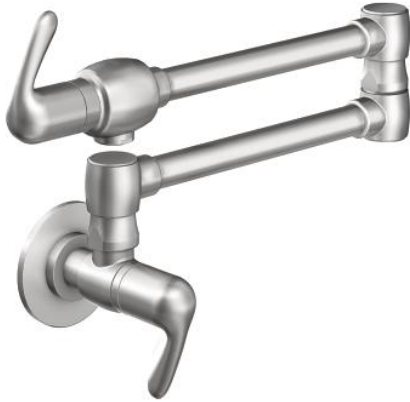


LADYLUX3
Pot Filler Kitchen Faucet
MODEL # 31075SD0

Pure Freude
an Wasser

GROHE



Product Description:
LADYLUX3
Pot Filler Kitchen Faucet

Standard Specification:

- Wall mount
- Cold water only
- **GROHE RealSteel** Stainless Steel Construction produced from Grade 304 stainless steel
- Max Flow Rate: 1.75 gpm (6.6 L/min)

Applicable Codes & Standards:

- Energy Policy Act of 1992
- NSF 61
- ASME A112.18.1/CSA B125.1
- US Federal and State material regulations

Color:

- 31075SD0 GROHE RealSteel®