

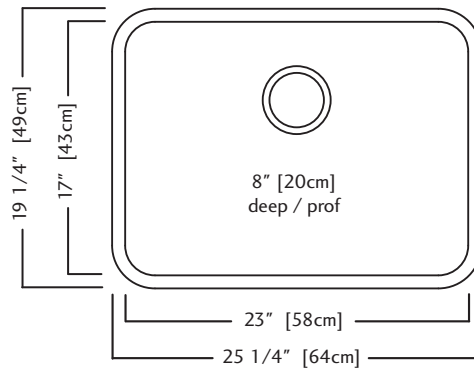


Optional Accessories



BGA2317S MB100

cUPC®



QSUA1925/8N SPECIFICATION

Model QSUA1925/8N is a single bowl undermount sink manufactured for Franke Consumer Products from 20 gauge stainless steel. Product has a silk finished rim and satin finished bowl. Sink is fully undercoated. Installation kit included. Sink is backed with a limited buyer lifetime warranty.

- O.D. 19 1/4" x 25 1/4" x 8" (49 x 64 x 20 cm)
- **Recommended for minimum 27" cabinet**

FUN# 122.0169.261