



ONCE UPON A TIME...WATER®

# SQUAREONE™

## BF1651-XXX

### TD2 Thermostatic Shower System

#### SPECIFICATIONS



#### Components included

- 104085-XXX\*: 2-way AQUATONIK™ type T/P 1/2" valve with diverter decorative trim
- BF1626-XXX\*: Rainhead with 90° wall arm
- 104289-XXX\*: 2-jet handshower (2 direct functions and 1 shared function)
- 103576-XXX\*: Wallbar
- 101620-XXX\*: 60" flexible and soft PVC hose
- 104292-XXX\*: Wall outlet

\*XXX means that the finish color must be specified.

#### Colors (Finishes)

- Chrome: BF1651-110
- Pure Nickel PVD: BF1651-125

#### Certifications

The specified model meets or exceeds the following standards;



See the following sheets for the technical features of each component.

#### Installation Notes

This product must be installed following the installation instructions provided.

#### WARRANTY

Kalia Inc. guarantees all aspects of its products to be free of defects in material and workmanship for normal residential use. **Refer to the warranty included with the Kalia products for details.**



ONCE UPON A TIME...WATER®

1355, 2<sup>nd</sup> Street, Industrial Park  
Sainte-Marie (Québec)  
Canada G6E 1G9

T 418-387-9090  
1-877-GO-KALIA (1-87- 465-2542)  
F 418 387-9089

KaliaStyle.com





ONCE UPON A TIME...WATER®

**SQUAREONE™**

**104085**

**TD2/TG2 and TD3/TG3 square decorative trim**

**SPÉCIFICATIONS**

**Features**

- Solid brass construction
- Total adjustment of 30 mm (1 3/16")

**Colors (Finishes)**

- Chrome: 104085-110
- Pure Nickel PVD: 104085-125

**Certifications**

*The specified model meets or exceeds the following standards;*



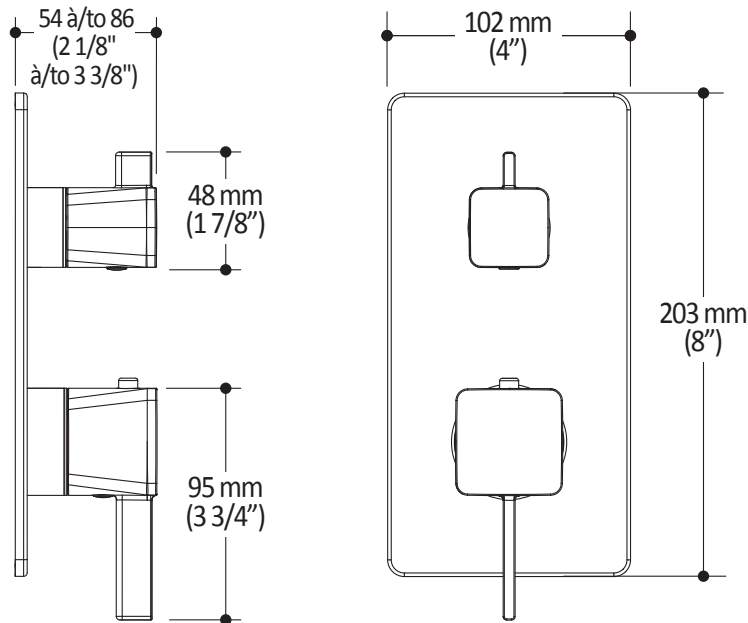
**Installation Notes**

This product must be installed following the installation instructions provided.

**WARRANTY**

Kalia Inc. guarantees all aspects of its products to be free of defects in material and workmanship for normal residential use. **Refer to the warranty included with the Kalia products for details.**

*Product dimensions:*



**Important:** Dimensions are approximated and are subject to changes. Please refer to the installation instructions.



ONCE UPON A TIME...WATER®

1355, 2<sup>nd</sup> Street, Industrial Park  
Sainte-Marie (Québec)  
Canada G6E 1G9

T 418-387-9090  
1-877-GO-KALIA (1-877-465-2542)  
F 418 387-9089

**KaliaStyle.com**





ONCE UPON A TIME...WATER®

**SQUAREONE™**

**BF1626**

**Rainhead with 90° Wallarm**

**SPÉCIFICATIONS**

**Features**

- Male water inlet 1/2NPT on vertical arm
- Rainhead dimension:  
260 mm x 188 mm x 16 mm (10 1/4" x 7 3/8" x 5/8")
- Anti-scale system with soft sprays
- Adjustable orientation swivel
- Solid brass arm and plastic rainhead construction

**Colors (Finishes)**

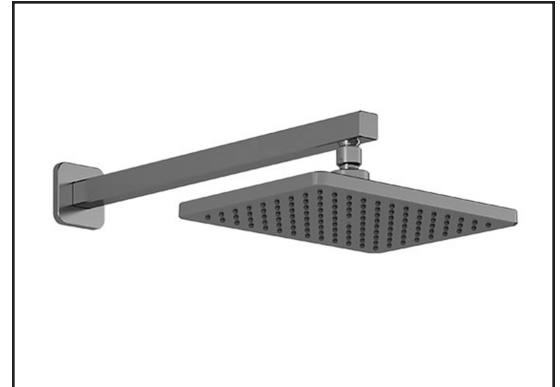
- Chrome: BF1626-110
- Pure Nickel PVD: BF1626-125

**Maximum flow rate**

- 9.5 L/min (2.5 gpm) at 80 psi

**Certifications**

The specified model meets or exceeds the following standards;



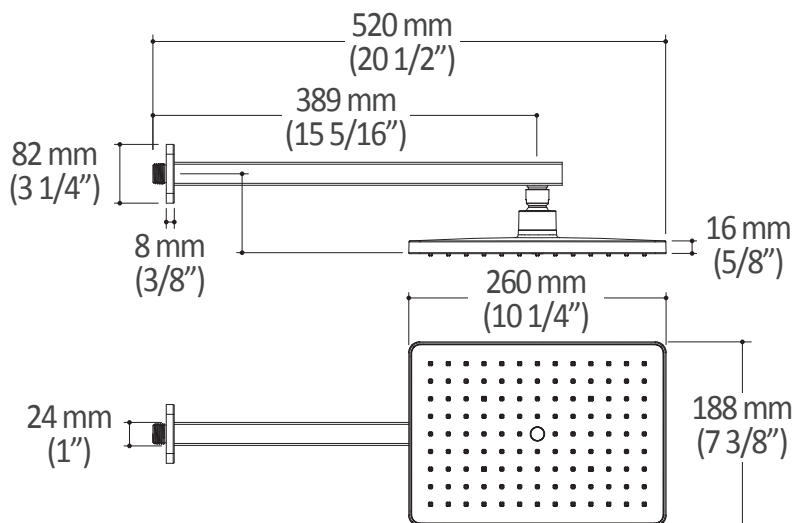
**Installation Notes**

This product must be installed following the installation instructions provided.

**WARRANTY**

Kalia Inc. guarantees all aspects of its products to be free of defects in material and workmanship for normal residential use. **Refer to the warranty included with the Kalia products for details.**

Product dimensions:



**Important:** Dimensions are approximated and are subject to changes. Please refer to the installation instructions.



ONCE UPON A TIME...WATER®

1355, 2<sup>nd</sup> Street, Industrial Park  
Sainte-Marie (Québec)  
Canada G6E 1G9

T 418-387-9090  
1-877-GO-KALIA (1-87- 465-2542)  
F 418 387-9089

KaliaStyle.com





ONCE UPON A TIME...WATER®

**104289**

**2-jet handshower**

**SPECIFICATIONS**

**Features**

- Male water inlet G1/2
- Dimension: 80 mm (3 1/8") x 110 (4 3/8")
- 2 direct functions and 1 shared function
- Anti-scale system with soft sprays

**Colors (Finishes)**

- Chrome: 104289-110
- Pure Nickel PVD: 104289-125

**Maximum flow rate**

- 9.5 L/min (2.5 gpm) at 60 psi

**Certifications**

*The specified model meets or exceeds the following standards;*



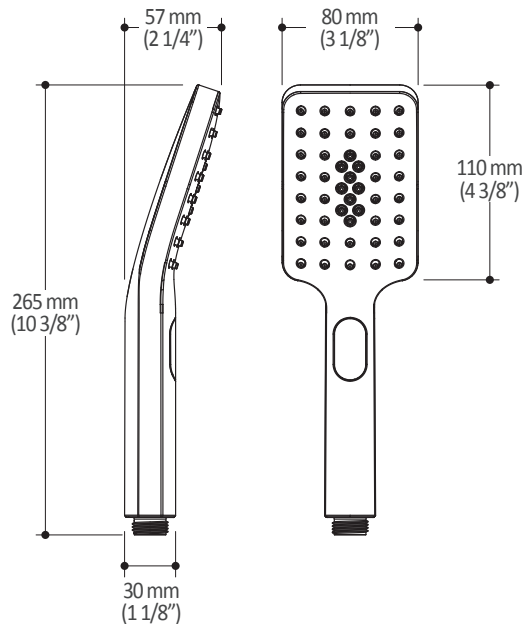
**Installation Notes**

This product must be installed following the installation instructions provided.

**WARRANTY**

Kalia Inc. guarantees all aspects of its products to be free of defects in material and workmanship for normal residential use. **Refer to the warranty included with the Kalia products for details.**

*Product dimensions:*



**Important :** Dimensions are approximated and are subject to changes. Please refer to the installation instructions.



ONCE UPON A TIME...WATER®

1355, 2<sup>nd</sup> Street, Industrial Park  
Sainte-Marie (Québec)  
Canada G6E 1G9

T 418-387-9090  
1-877-GO-KALIA (1-87- 465-2542)  
F 418 387-9089

**KaliaStyle.com**





# Kalia

ONCE UPON A TIME...WATER®

## 103576

### Wallbar for handshower

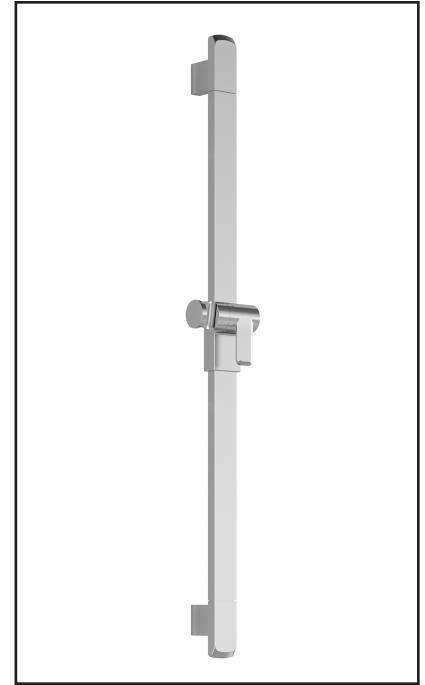
#### SPÉCIFICATIONS

#### Features

- Total height of 775 mm (30 1/2")
- Easy-to-use gliding system
- Locking system

#### Colors (Finishes)

- Chrome: 103576-110
- Pure Nickel PVD: 103576-125



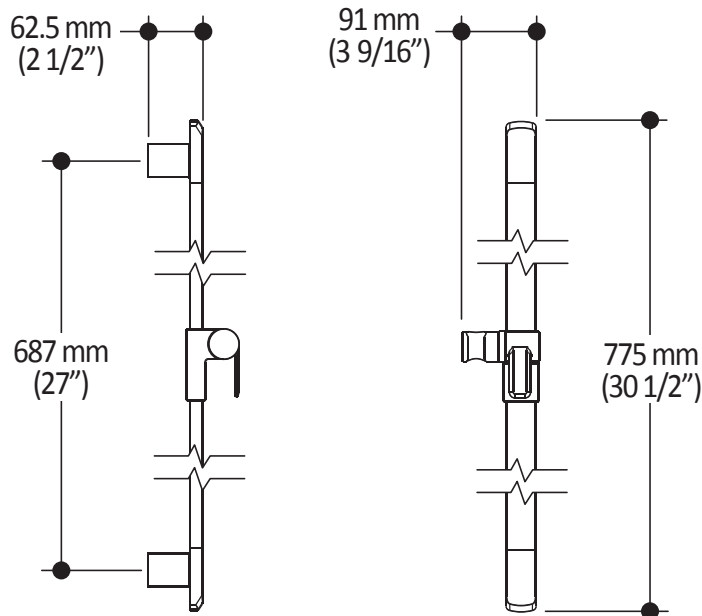
#### Installation Notes

This product must be installed following the installation instructions provided.

#### WARRANTY

Kalia Inc. guarantees all aspects of its products to be free of defects in material and workmanship for normal residential use. **Refer to the warranty included with the Kalia products for details.**

*Product dimensions:*



**Important :** Dimensions are approximated and are subject to changes. Please refer to the installation instructions.



# Kalia

ONCE UPON A TIME...WATER®

1355, 2<sup>nd</sup> Street, Industrial Park  
Sainte-Marie (Québec)  
Canada G6E 1G9

T 418-387-9090  
1-877-GO-KALIA (1-87- 465-2542)  
F 418 387-9089

KaliaStyle.com





# Kalia

ONCE UPON A TIME...WATER®

# SQUAREONE™

## 104292 Wall Outlet

### SPÉCIFICATIONS

#### Features

- Male or female water inlet 1/2NPT
- Male water outlet G1/2
- Solid brass construction

#### Colors (Finishes)

- Chrome: 104292-110
- Pure Nickel PVD: 104292-125

#### Certifications

The specified model meets or exceeds the following standards:



CSA B125.1  
ASME A112.18.1



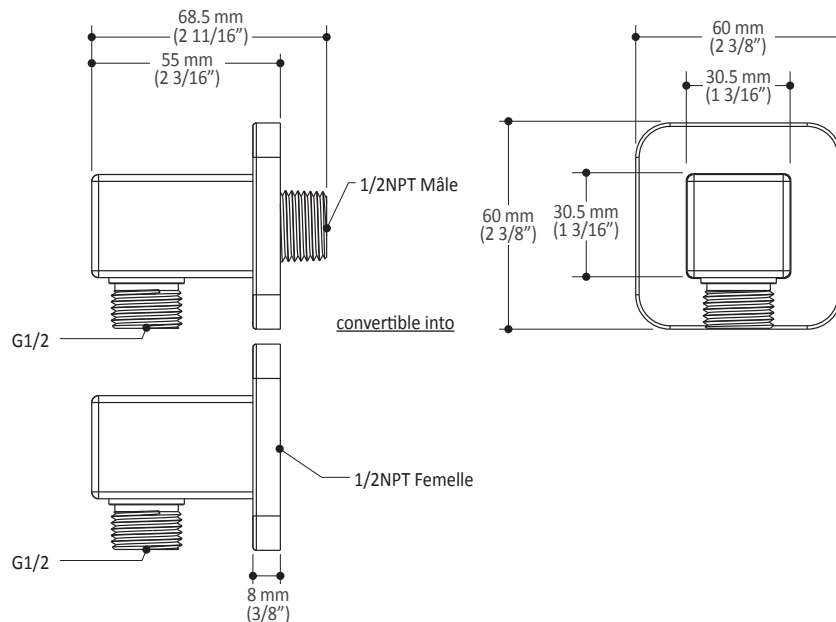
#### Installation Notes

This product must be installed following the installation instructions provided.

#### WARRANTY

Kalia Inc. guarantees all aspects of its products to be free of defects in material and workmanship for normal residential use. **Refer to the warranty included with the Kalia products for details.**

Product dimensions:



**Important:** Dimensions are approximated and are subject to changes. Please refer to the installation instructions.



ONCE UPON A TIME...WATER®

1355, 2<sup>nd</sup> Street, Industrial Park  
Sainte-Marie (Québec)  
Canada G6E 1G9

T 418-387-9090  
1-877-GO-KALIA (1-877-465-2542)  
F 418 387-9089

KaliaStyle.com

