

**BF2100-XXX****TB2 Thermostatic Shower System (without valve)****SPECIFICATIONS****Components included**

- 106835-XXX\*: Decorative trim for 2-way AQUATONIK™ type T/P 1/2" push-button valve (operates 1 or 2 components at a time)
- BF1626-XXX\*: Rainhead with 90° wall arm
- 104289-XXX\*: 2-jet handshower (2 direct functions and 1 shared function)
- 103576-XXX\*: Wallbar
- 101620-XXX\*: 60" flexible and soft PVC hose
- 106193-XXX\*: Wall outlet

\*XXX means that the finish color must be specified.

**Colors (Finishes)**

- Chrome: BF2100-110
- Matte Black: BF2100-160

See the following sheets for the technical features of each component.

**Installation Notes**

This product must be installed following the installation instructions provided.

**WARRANTY**

Kalia Inc. guarantees all aspects of its products to be free of defects in material and workmanship for normal residential use. **Refer to the warranty included with the Kalia products for details.**





ONCE UPON A TIME...WATER®

106835

Decorative trim for 2-way AQUATONIK™ type T/P 1/2" push-button valve

**SPÉCIFICATIONS**

**Features**

- Low-profil design
- Horizontal or vertical installation
- Integrated adjustable high-temperature limit
- Extra buttons included for custom shower configurations

**Colors (Finishes)**

- Chrome: 106835-110
- Pure Nickel PVD: 106835-125
- Matte Black: 106835-160



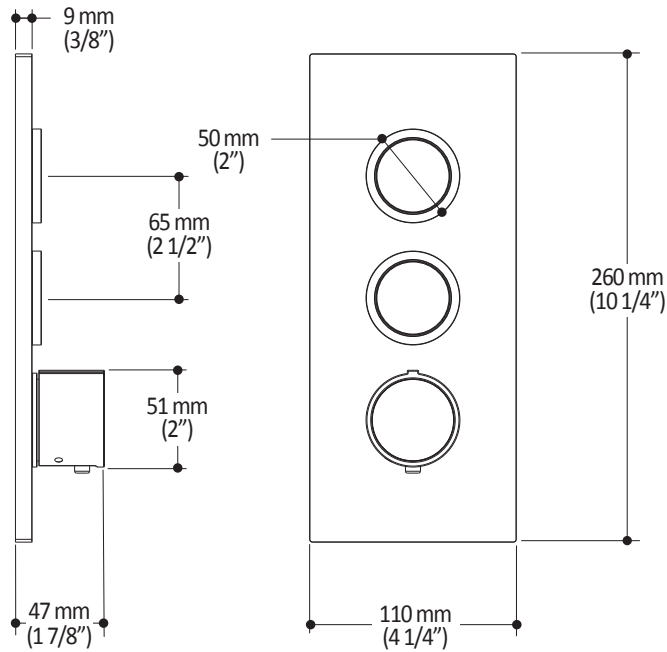
**Installation Notes**

This product must be installed following the installation instructions provided.

**WARRANTY**

Kalia Inc. guarantees all aspects of its products to be free of defects in material and workmanship for normal residential use. **Refer to the warranty included with the Kalia products for details.**

*Product dimensions:*



**Important:** Dimensions are approximated and are subject to changes. Please refer to the installation instructions.



ONCE UPON A TIME...WATER®

1355, 2<sup>nd</sup> Street, Industrial Park  
Sainte-Marie (Québec)  
Canada G6E 1G9

T 418-387-9090  
1-877-GO-KALIA (1-877-465-2542)  
F 418 387-9089

**KaliaStyle.com**



# Kalia

ONCE UPON A TIME...WATER®

## BF1626

### Rainhead with 90° Wallarm

#### SPÉCIFICATIONS

#### Features

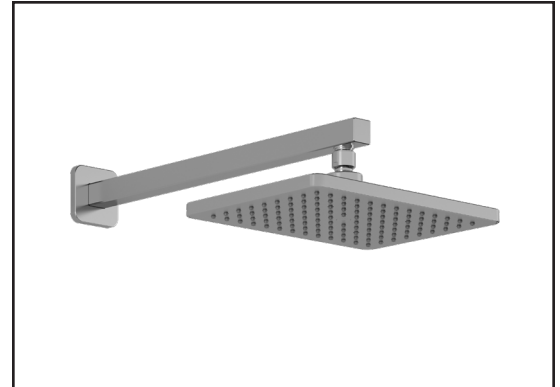
- Male water inlet 1/2NPT on vertical arm
- Rainhead dimension:  
260 mm x 188 mm x 16 mm (10 1/4" x 7 3/8" x 5/8")
- Soft tips for easy cleaning of limescale
- Adjustable orientation swivel
- Solid brass arm and plastic rainhead construction

#### Colors (Finishes)

- Chrome: BF1626-110
- Pure Nickel PVD: BF1626-125
- Matte Black: BF1626-160

#### Maximum flow rate

- 7.6 L/min (2 gpm) at 80 psi



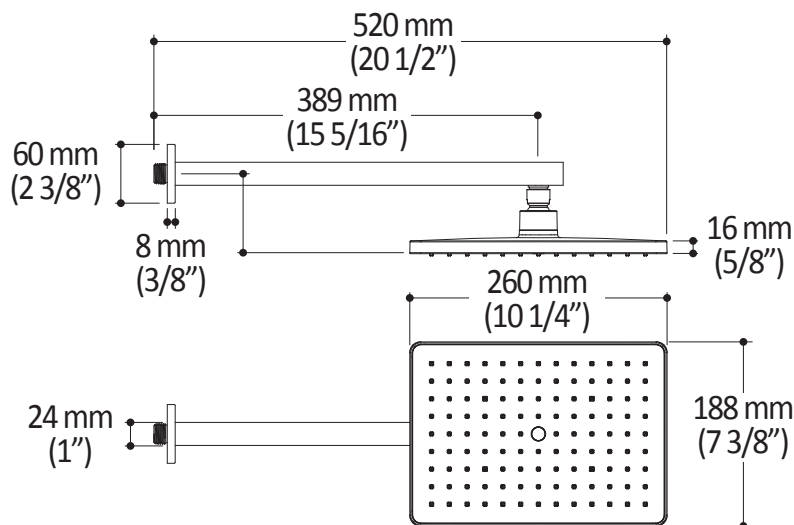
#### Installation Notes

This product must be installed following the installation instructions provided.

#### WARRANTY

Kalia Inc. guarantees all aspects of its products to be free of defects in material and workmanship for normal residential use. **Refer to the warranty included with the Kalia products for details.**

Product dimensions:



**Important:** Dimensions are approximated and are subject to changes. Please refer to the installation instructions.



# Kalia

ONCE UPON A TIME...WATER®

1355, 2<sup>e</sup> Rue du Parc industriel  
Sainte-Marie (Québec)  
Canada G6E 1G9

T 418-387-9090  
1-877-GO-KALIA (1-877-465-2542)  
F 418 387-9089

[kaliastyle.com](http://kaliastyle.com)



ONCE UPON A TIME...WATER®

104289

2-jet handshower

**SPECIFICATIONS**

**Features**

- Male water inlet G1/2
- Dimension: 80 mm (3 1/8") x 110 (4 3/8")
- 2 direct functions and 1 shared function
- Soft tips for easy cleaning of limescale

**Colors (Finishes)**

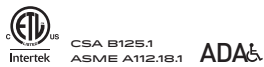
- Chrome: 104289-110
- Pure Nickel PVD: 104289-125
- Matte Black: 104289-160

**Maximum flow rate**

- 7.6 L/min. (2 gpm) at 80 psi

**Certifications**

The specified model meets or exceeds the following standards;



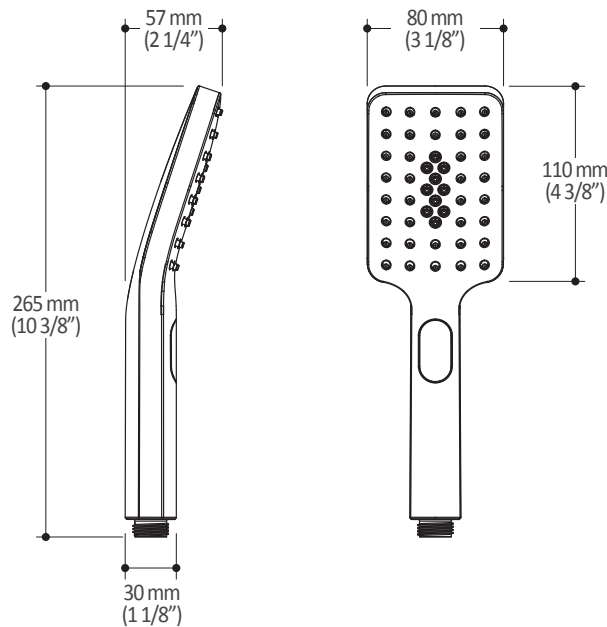
**Installation Notes**

This product must be installed following the installation instructions provided.

**WARRANTY**

Kalia Inc. guarantees all aspects of its products to be free of defects in material and workmanship for normal residential use. Refer to the warranty included with the Kalia products for details.

Product dimensions:



**Important :** Dimensions are approximated and are subject to changes. Please refer to the installation instructions.



ONCE UPON A TIME...WATER®

1355, 2<sup>nd</sup> Street, Industrial Park  
Sainte-Marie (Québec)  
Canada G6E 1G9

T 418-387-9090  
1-877-GO-KALIA (1-87- 465-2542)  
F 418 387-9089

**KaliaStyle.com**



# Kalia

ONCE UPON A TIME...WATER®

## 103576

### Wallbar for handshower

#### SPÉCIFICATIONS

#### Features

- Total height of 775 mm (30 1/2")
- Easy-to-use gliding system
- Locking system

#### Colors (Finishes)

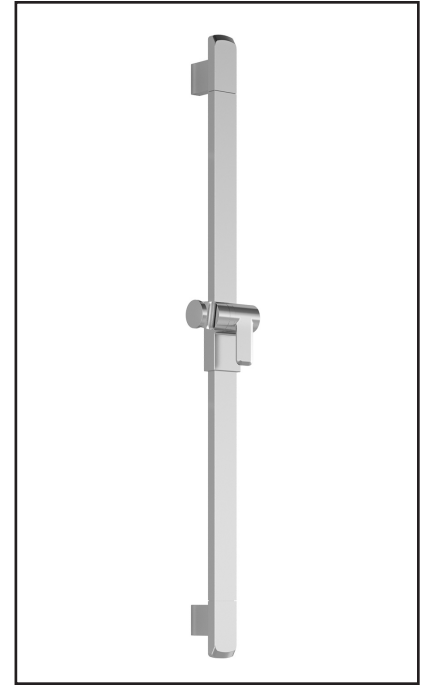
- Chrome: 103576-110
- Pure Nickel PVD: 103576-125
- Matte Black: 103576-160

#### Installation Notes

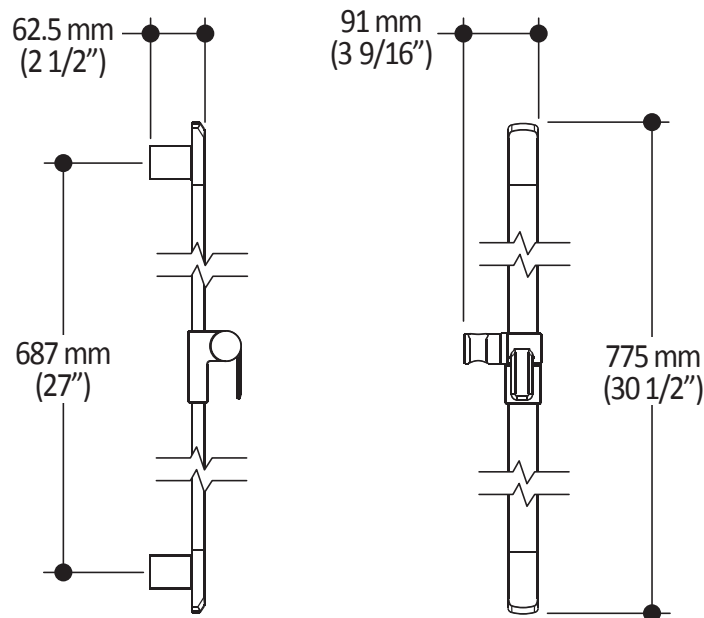
This product must be installed following the installation instructions provided.

#### WARRANTY

Kalia Inc. guarantees all aspects of its products to be free of defects in material and workmanship for normal residential use. **Refer to the warranty included with the Kalia products for details.**



Product dimensions:



**Important :** Dimensions are approximated and are subject to changes. Please refer to the installation instructions.



# Kalia

ONCE UPON A TIME...WATER®

1355, 2<sup>nd</sup> Street, Industrial Park  
Sainte-Marie (Québec)  
Canada G6E 1G9

T 418-387-9090  
1-877-GO-KALIA (1-87- 465-2542)  
F 418 387-9089

KaliaStyle.com





ONCE UPON A TIME...WATER®

# 106193 Wall Outlet

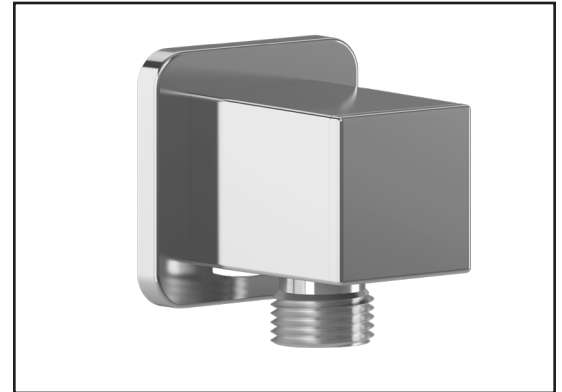
## SPÉCIFICATIONS

### Features

- Female water inlet 1/2NPT
- Male water outlet G1/2
- Connector adjustable in depth
- PVD finish (Physical Vapour Deposit): A high technology process that protects the surface finish for increased durability

### Colors (Finishes)

- Chrome: 106193-110
- Pure nickel PVD: 106193-125
- Matte black: 106193-160



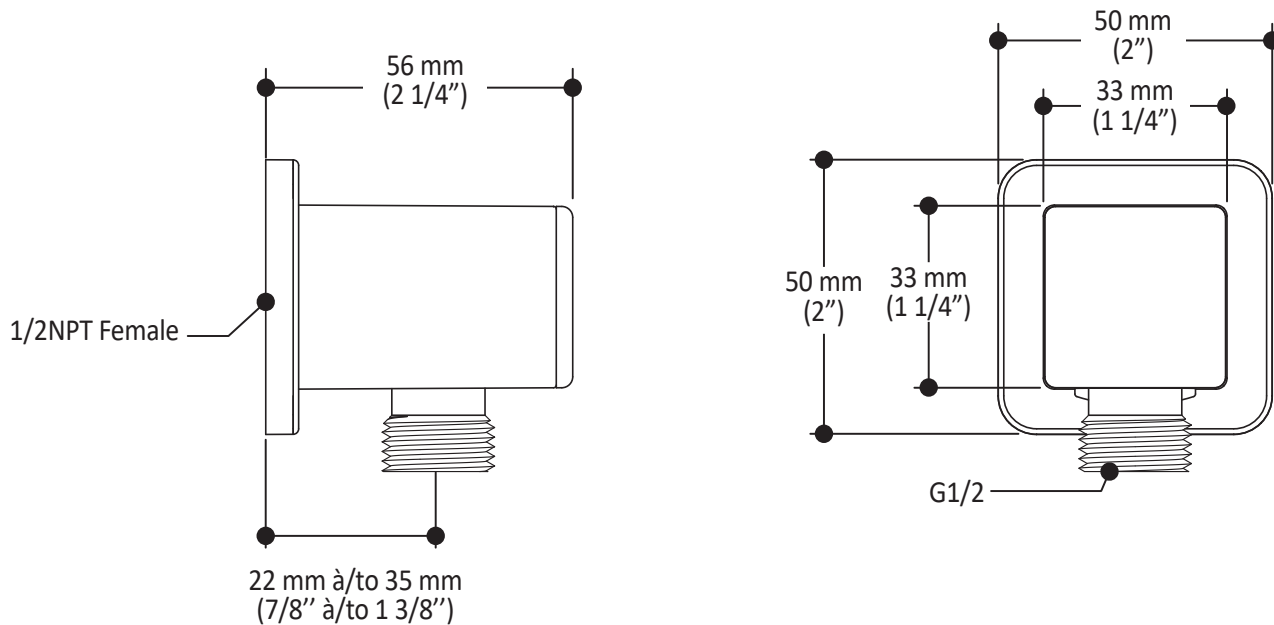
### Installation Notes

This product must be installed following the installation instructions provided.

### WARRANTY

Kalia Inc. guarantees all aspects of its products to be free of defects in material and workmanship for normal residential use. **Refer to the warranty included with the Kalia products for details.**

Product dimensions:



**Important:** Dimensions are approximated and are subject to changes. Please refer to the installation instructions.



ONCE UPON A TIME...WATER®

1355, 2<sup>nd</sup> Street, Industrial Park  
Sainte-Marie (Québec)  
Canada G6E 1G9

T 418-387-9090  
1-877-GO-KALIA (1-87- 465-2542)  
F 418 387-9089

KaliaStyle.com

