



ONCE UPON A TIME...WATER®

105162

Rough-in floormount tub filler with handshower and test-cap
– without cartridge

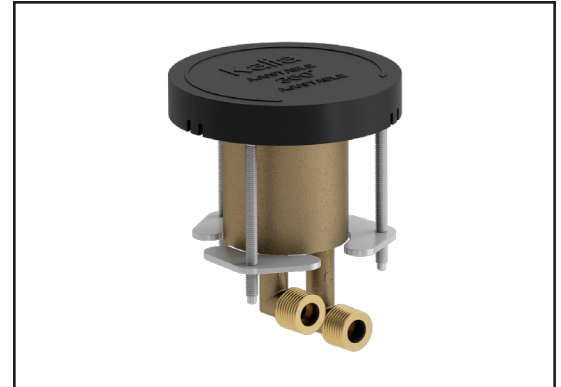
SPECIFICATIONS

Features

- Solid brass construction
- Male water inlets 1/2 NPT
- 360° swivel core for easy faucet alignment
- Leveling screws (3) to level up the faucet
- Easy and fast installation system
- Protective cover
- Equipped with test-caps

Certifications

The specified model meets or exceeds the following standards;



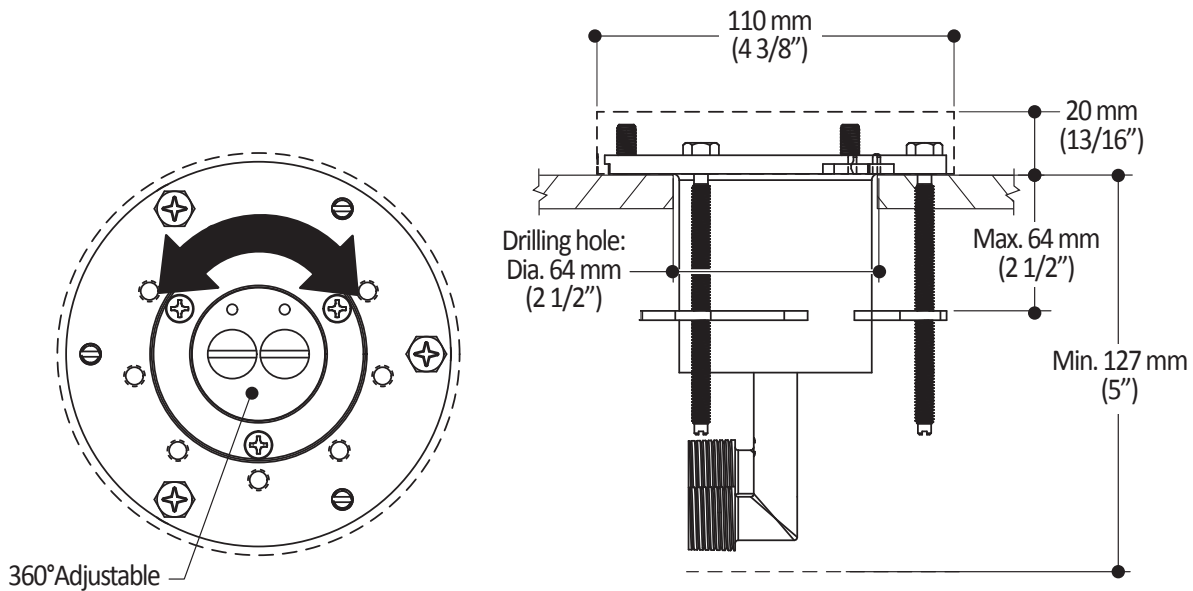
Installation Notes

This product must be installed following the installation instructions provided.

WARRANTY

Kalia Inc. guarantees all aspects of its products to be free of defects in material and workmanship for normal residential use. **Refer to the warranty included with the Kalia products for details.**

Product dimensions:



Important: Dimensions are approximated and are subject to changes. Please refer to the installation instructions.



ONCE UPON A TIME...WATER®

1355, 2nd Street, Industrial Park
Sainte-Marie (Québec)
Canada G6E 1G9

T 418-387-9090
1-877-GO-KALIA (1-87- 465-2542)
F 418 387-9089

KaliaStyle.com

