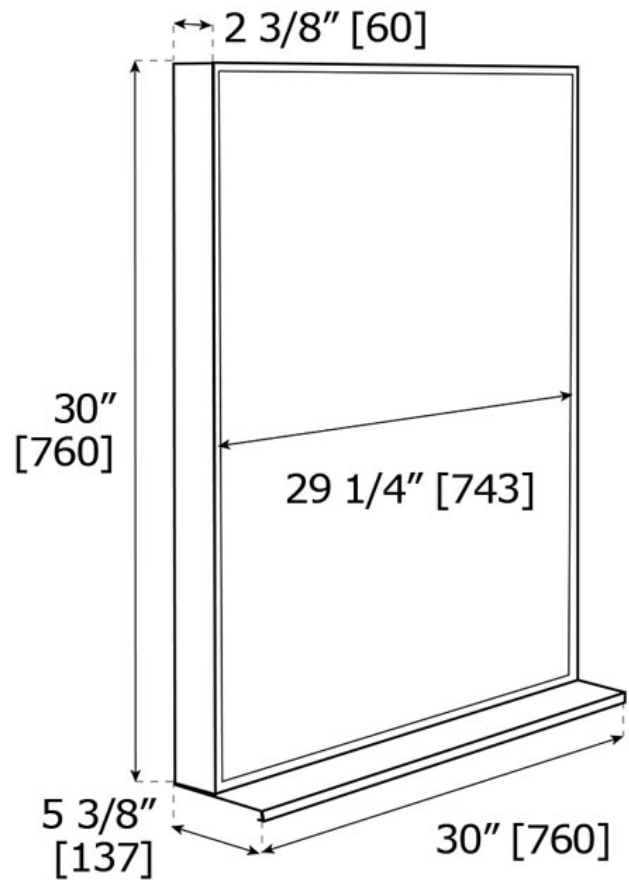


# COMPONENT MIRRORED CABINETS

## QUIROS COMPONENT MIRROR WITH SHELF

Q20M30



LALOO ACCESSORIES

[lalo.ca](http://lalo.ca)

866.305.2566

[SERVICE@lalo.ca](mailto:SERVICE@lalo.ca)