

FAUCET DESCRIPTION

- Metal construction with chrome finish
- Includes showerhead, arm, flange and diverter spout
- Includes hot and cold temperature indicators

OPERATION

- Six function showerhead: full, drench, massage, relax, intensify and energize
- Handle operates counterclockwise through a 270° arc with off at 6 o'clock and maximum hot at the 9 o'clock position. Shut off in clockwise direction
- Adjustable temperature limit stop to control maximum hot water temperature
- Pressure balancing mechanism maintains selected discharge temperature to ± 3°

FLOW

- EP suffix models are limited to 1.75 gpm (6.6 L/min) at 80 psi

CARTRIDGE

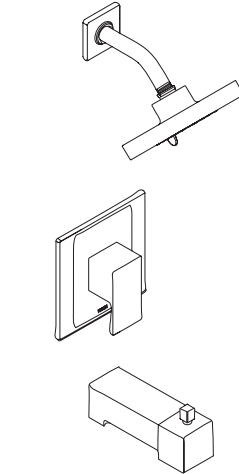
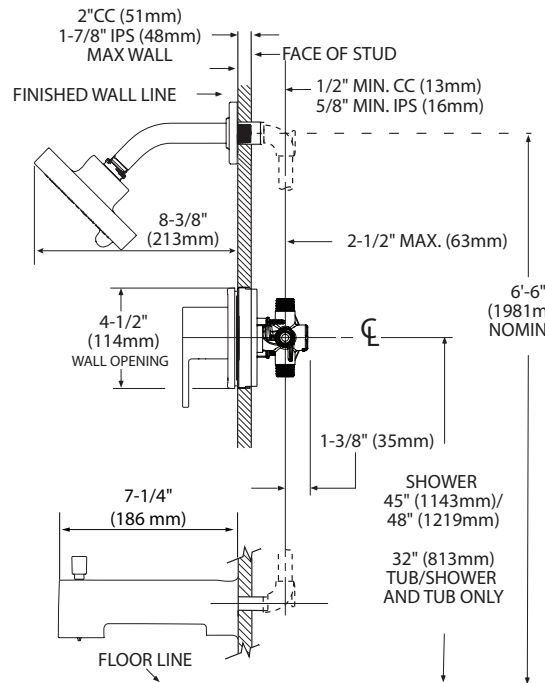
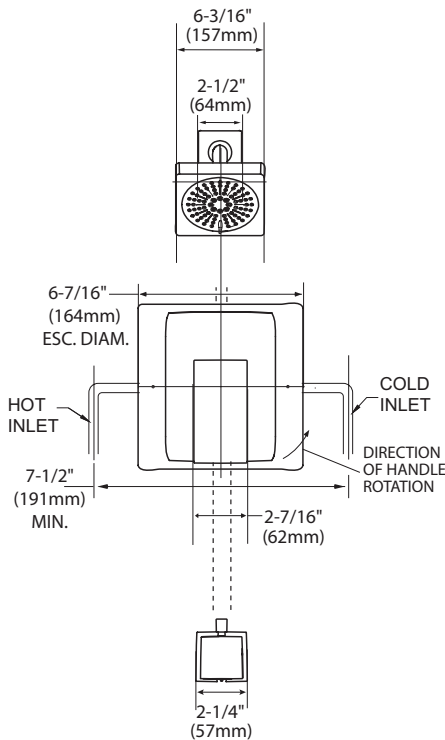
- 1222 cartridge design
- Nonmetallic/nonferrous and stainless steel materials
- Accommodates back to back installations

STANDARDS

- Third party certified to meet ASME A112.18.1/CSA B125.1 and all applicable requirements referenced therein
- EP suffix models are third party certified to WaterSense®
- ADA ♿ for lever handle

WARRANTY

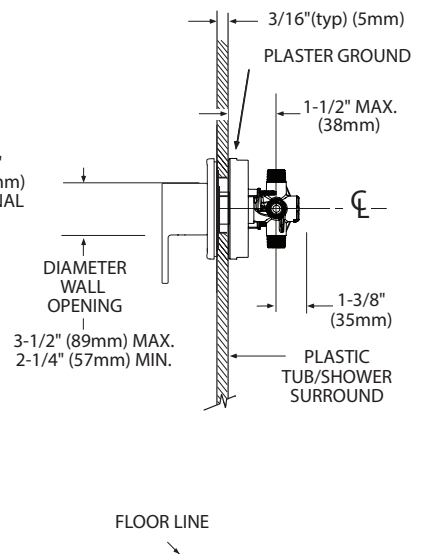
- Lifetime limited warranty against leaks, drips and finish defects to the original homeowner
 - 10 year limited warranty when used in a multifamily installation
 - 5 year limited warranty when used in a commercial installation
- Visit www.moen.com/support for complete details and limitations



Kyvos™ POSI-TEMP® Single-Handle Tub/Shower Trim Kit

Model: T2781 series - valve trim only
T2782EP series - shower trim
T2783EP series - tub/shower trim

Valves: 62300, 2500 series



CRITICAL DIMENSIONS

(DO NOT SCALE)