



ITD35 / ITD5135

ISLAND TUB DRAIN® (ROUGH-IN) - TESTABLE

Description:

Island Tub Drain® (Testable Rough-in) for Freestanding Tubs

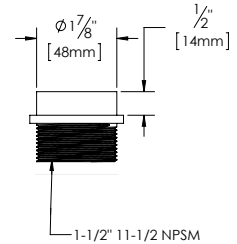
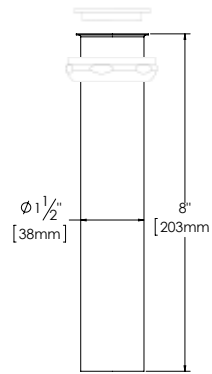
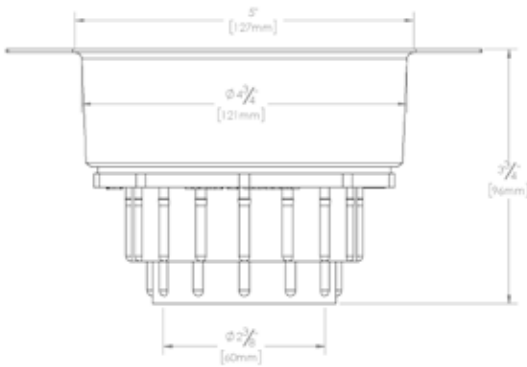
Features:

- Asymmetric design 18 Gauge Epoxy coated Metal Deck Plate with holes to lock to Thinset
- Snap off Test Cap
- Mortar/Tile Guard included
- ITD35 features an ABS Body/Tailpiece.
- ITD5135 features a White PVC Body/Tailpiece
- ITD() is a Freestanding Tub rough-in (install before tile installation)
- Designed to be installed in an 8" / 10" joist space with 1-1/2" / 2" P-Trap respectively. Can also be installed in a slab on grade application.
- Supplied with Flanged Brass Tailpiece and ABS or PVC Waste/Overflow Adaptor Kit
- NOTE: Island Tub Drain® IS NOT FOR USE with liquid applied or sheet membranes
- NOTE: Island Tub Drain® MUST BE INSTALLED in a dry area with no potential for water contact

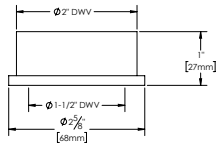
Certification*



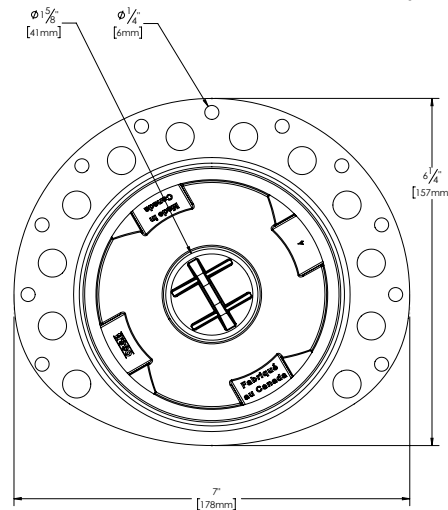
*The "cSAUS Meets UPC" mark means the product conforms to the requirements of the NPC, UPC, IPC and IRC.



ABS or PVC Adaptor Kit
Attaches to ABS or PVC Bath Wastes and includes Brass Nut and Poly Washer



Flanged Brass Tailpiece



Mortar/Tile Guard
Included

Island Tub Drain® is Patented in Canada (Patent # 2,813,010) and the United States of America (Patent # 9,551,138).

Oakville Stamping and Bending Ltd.

2200 Speers Road, Unit C. Oakville, ON. Canada. L6L 2X8.

T. 905.827.0320 or toll free 1.877.314.6040 F. 905.827.6375 or toll free 1.877.827.6040.

All rights reserved. OS&B® reserves the right to change product specifications and material or discontinue models without notice.

www.osb.ca (Canada) www.osbplumbing.com (USA)

ITDSPEC-0822