



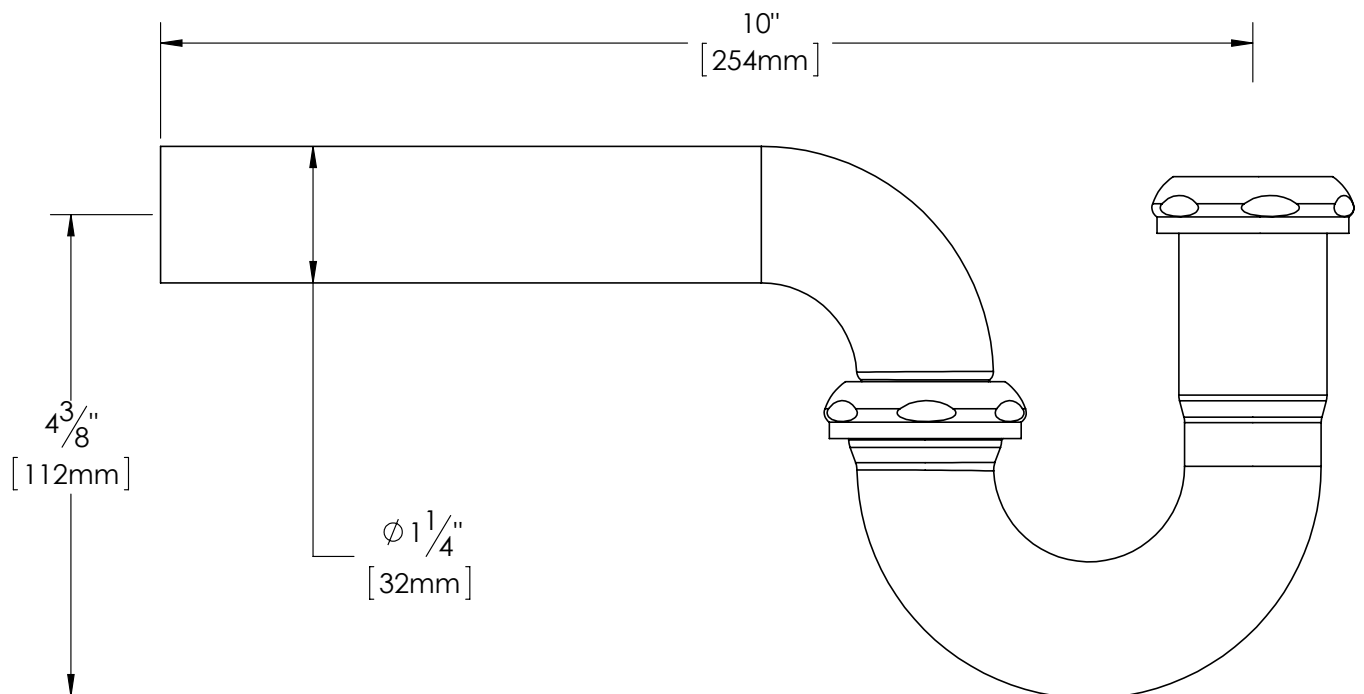
110BRBLF

1-1/4" 20GA P-TRAP, LESS CLEANOUT

Description:

P-TRAP SHALL BE 1-1/4" GROUND JOINT, 20 GAUGE TUBULAR BRASS, 7" WALLBEND, ROUGH BRASS FINISH, BRASS NUTS, LESS FLANGE, LESS CLEANOUT, CERTIFIED BY CSA

Certification



Oakville Stamping and Bending Ltd.

2200 Speers Road, Oakville, ON, Canada. L6L 2X8.

T. 905.827.0320 or toll free 1.877.314.6040 F. 905.827.6375 or toll free 1.877.827.6040.

All rights reserved. OS&B™ reserves the right to change product specifications and material or discontinue models without notice.

www.osb.ca