

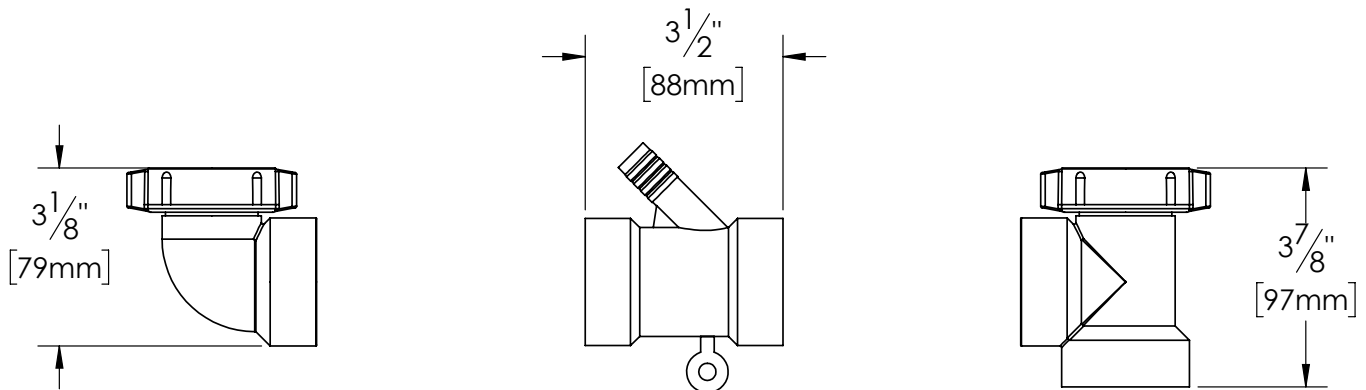
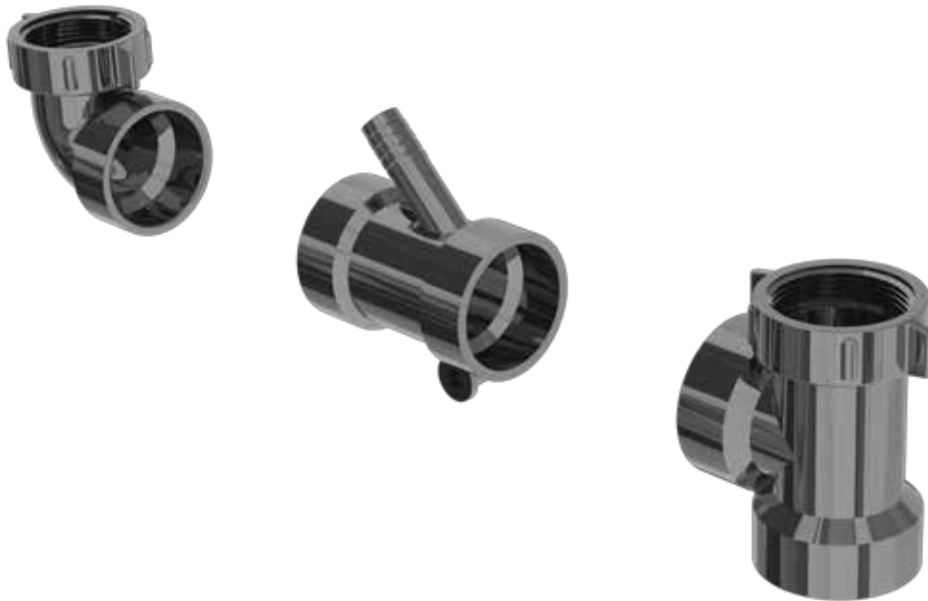
# 6065K-DCW

1-1/2" ABS/DWV END OUTLET CONTINUOUS WASTE KIT

## Description:

CONTINUOUS WASTE SHALL BE DIRECT CONNECT, 1-1/2" SCHEDULE 40 ABS/DWV. INCLUDES DISHWASHER WASTE FITTING W/SNAP OFF PLUG AND 2 X 405FP POLY WASHERS. PIPE\* NOT INCLUDED. CERTIFIED BY CSA.

Certification



\*Must use pipe certified to CSA B181.1

### Oakville Stamping and Bending Ltd.

2200 Speers Road, Unit C. Oakville, ON. Canada. L6L 2X8.

T. 905.827.0320 or toll free 1.877.314.6040 F. 905.827.6375 or toll free 1.877.827.6040.

All rights reserved. OS&B™ reserves the right to change product specifications and material or discontinue models without notice.

[www.osb.ca](http://www.osb.ca)