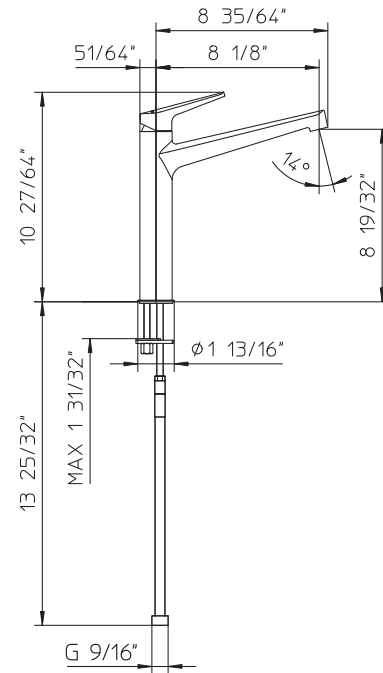




PALAZZANI 88



code **883018-10**

Features

- Single lever handle volume and temperature control.
- Temperature memory allows faucet to be turned on and off at any temperature setting.
- Without pop-up drain.
- Ceramic disc valves longevity standards for a lifetime of durable performance.
- Valve body brass.

Material

- Solid brass.
- Finishes resist corrosion and tarnish.

Certifications

- ASME A112.18.1/CSA B125.1-12.
- California Energy Commission (CEC).
- ADA.

Available color finishes

- 10 chrome.

Technical information

- All product dimensions are nominal.
- Handle clearance: $1 \frac{31}{32}$ " (50mm).
- Faucet flow rate: 1.2 gpm.
- Pressure: 60 psi.

Warranty

- Limited warranty.
- See website for detailed warranty information.

Note

- Install this product according to the installation guide.
- Final measurements confirm with product.
- Palazzani reserves the right to make revisions without notice to product specifications.



PALAZZANI USA

phone (305) 651.4470 ■ service@palazzaniusa.com