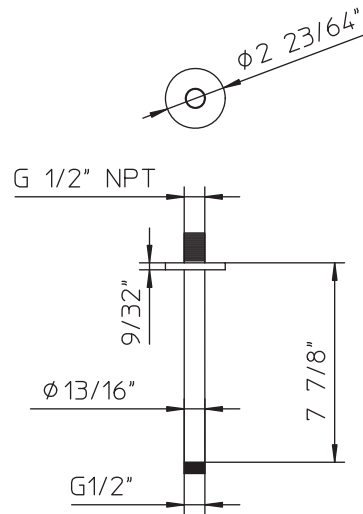
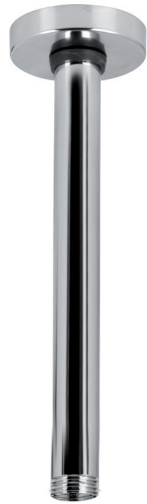




PALAZZANI showers



code **9926E3-10**

Features

- Vertical 7 7/8" Brass arm.
- Arm 1/2" NPT connection.

Material

- Solid brass.
- Finishes resist corrosion and tarnish.

Certifications

- ASME A112.18.1/CSA B125.1-12.
- California Energy Commission (CEC).
- ADA.

Available color finishes

- 10 chrome.
- 34 matt copper.
- 36 brushed dark nickel.
- 38 matt black.
- 43 matt white.
- 49 brushed steel finish.
- 50 bronze.
- 53 gold.
- 68 polish nickel.

Technical information

- All product dimensions are nominal.

Warranty

- Limited warranty.
- See website for detailed warranty information.

Note

- Install this product according to the installation guide.
- Final measurements confirm with product.
- Palazzani reserves the right to make revisions without notice to product specifications.



PALAZZANI USA

phone (305) 651.4470 ■ service@palazzaniusa.com